

# OV683 bridge chip product brief



available in  
a lead-free  
package

## 3-Channel Stand Alone Bridge Chip for Multi-Camera Applications

OmniVision's OV683 companion chip is a multi-sensor bridge solution that integrates images from three sensors into a single data stream. The companion chip has two 2-lane MIPI receivers and one 4-lane MIPI receiver with two built-in image signal processors (ISP).

The OV683 can support up to two 5-megapixel sensors and a 21-megapixel sensor, with lower-resolution sensors using the companion chip's two built-in ISPs and the higher-resolution sensor bypassing the processor

through a four-lane MIPI receiver. The companion chip can output a maximum resolution of 23 megapixels at 15 frames per second (fps), or one 8-megapixel video stream with two 1080p high definition (HD) streams at 30 fps.

For the latest data sheet, please visit [www.sunnyvale.com](http://www.sunnyvale.com)



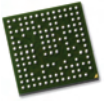
## Applications

- Stand Alone 3D Bridge Chip for HD Sensors

## Product Features

- interfaces
  - two 2-lane MIPI receiver for video input
  - one of the MIPI receivers can be divided into dual 1-lane MIPI receivers
  - one 4-lane MIPI receiver for video input
  - one 4-lane MIPI transmitter for video output
  - up to 1 MHz SCCB with 13 MHz - 26 MHz input clock
  - two sets of SCCB master
  - one set of SCCB master and slave
  - four sensor frame rate control pin
  - five general purpose IO (GPIO) pins
  - UART and SPI interfaces
- on-chip PLLs
  - system PLL - input clock frequency ranges from 13 MHz to 26 MHz
  - MIPI speed - 5x or 10x of system clock for RAW, 4x or 8x of system clock for YUV
- image signal processor (ISP)
  - AEC/AGC/AWB
  - two ISPs, one for each input video stream
  - 2592 x 1944 max resolution
  - max frame rate:
    - 24 fps at 5MP
    - 30 fps at 4MP
    - 60 fps at 1080p
    - 120 fps at 720p
  - lens shading correction (LENC)
  - auto exposure and gain control
  - auto white balance
  - defect pixel correction
  - auto contrast enhancement
  - gamma correction
  - YCbCr422 process
- SCCB
  - two sets of SCCB masters to control multiple sensors
  - one SCCB master/slave to take the commands from host controller
  - 7-bit SCCB slave device ID is fixed to 0x44 (0x88 for write, and 0x89 for read)
  - 7-bit SCCB slave device ID is fixed to 0x42 (0x84 for write, and 0x85 for read)
  - supports SCCB clock 100 kHz and 400 kHz and 1 MHz
- data format
  - input: RAW 8/10/12-bit, YUV422
  - output: RAW 8/10/12-bit, YUV422
- microcontroller
  - 32-bit microcontroller running at the system clock
  - 64 KByte program memory, 32 KB ROM
- power supply
  - 1.8V for IO voltage (e.g., PADVDD18), 1.8V for analog voltage (e.g., M\*AVDD)
  - internal regulator generates 1.2V C\*VDD12 from PADVDD18 for the digital core circuit
  - hardware standby mode initiated by pulling PWDN high, whole system halts and input clock is gated
  - software standby mode initiated by register

# OV683



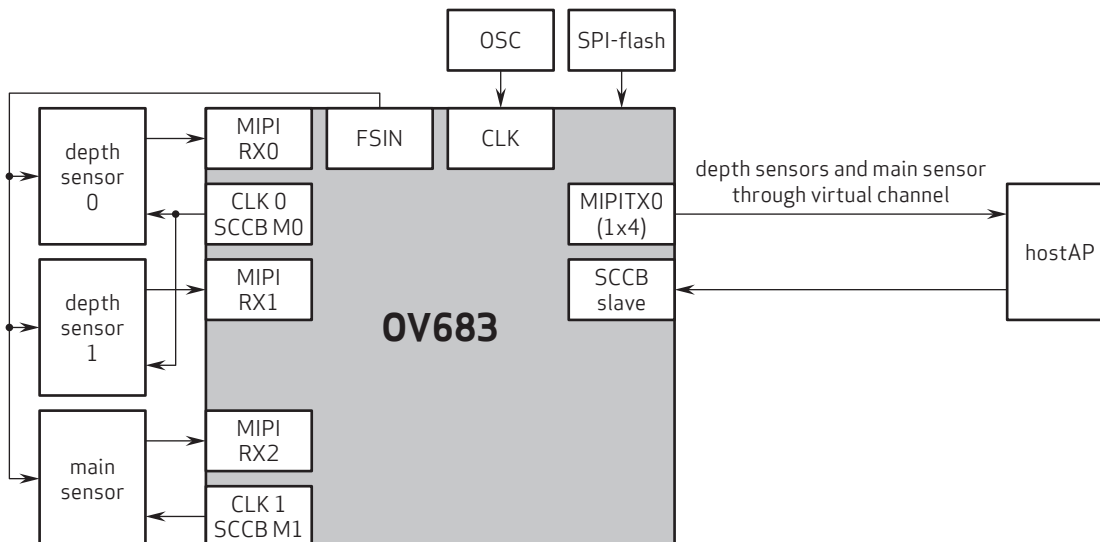
## Ordering Information

- OV00683-B33G-Z (lead-free, 133-pin BGA)

## Product Specifications

- power supply:
  - core: 1.2V
  - analog: 1.8V
  - I/O: 1.8V
- power requirements:
  - hardware standby: 100  $\mu$ V
- temperature range:
  - operating: -30°C to +70°C junction temperature
- output formats:
  - 8/10-bit RAW RGB data
  - YUV422 data
- input clock frequency: 6 - 27 MHz
- maximum image transfer rate: 120 fps
- package dimensions: 7 mm x 7 mm

## Functional Block Diagram



Sales: Shenzhen Sunnywale Inc, [www.sunnywale.com](http://www.sunnywale.com), [awin@sunnywale.com](mailto:awin@sunnywale.com)

4275 Burton Drive  
Santa Clara, CA 95054  
USA

Tel: +1 408 567 3000  
Fax: +1 408 567 3001  
[www.ovt.com](http://www.ovt.com)

OmniVision reserves the right to make changes to their products or to discontinue any product or service without further notice. OmniVision, the OmniVision logo and OmniPixel are registered trademarks of OmniVision Technologies, Inc. OmniBSI-Z is a trademark of OmniVision Technologies, Inc. All other trademarks are the property of their respective owners.



OmniVision