


AR0835HS_48CLCC_Demo3Head_Serial

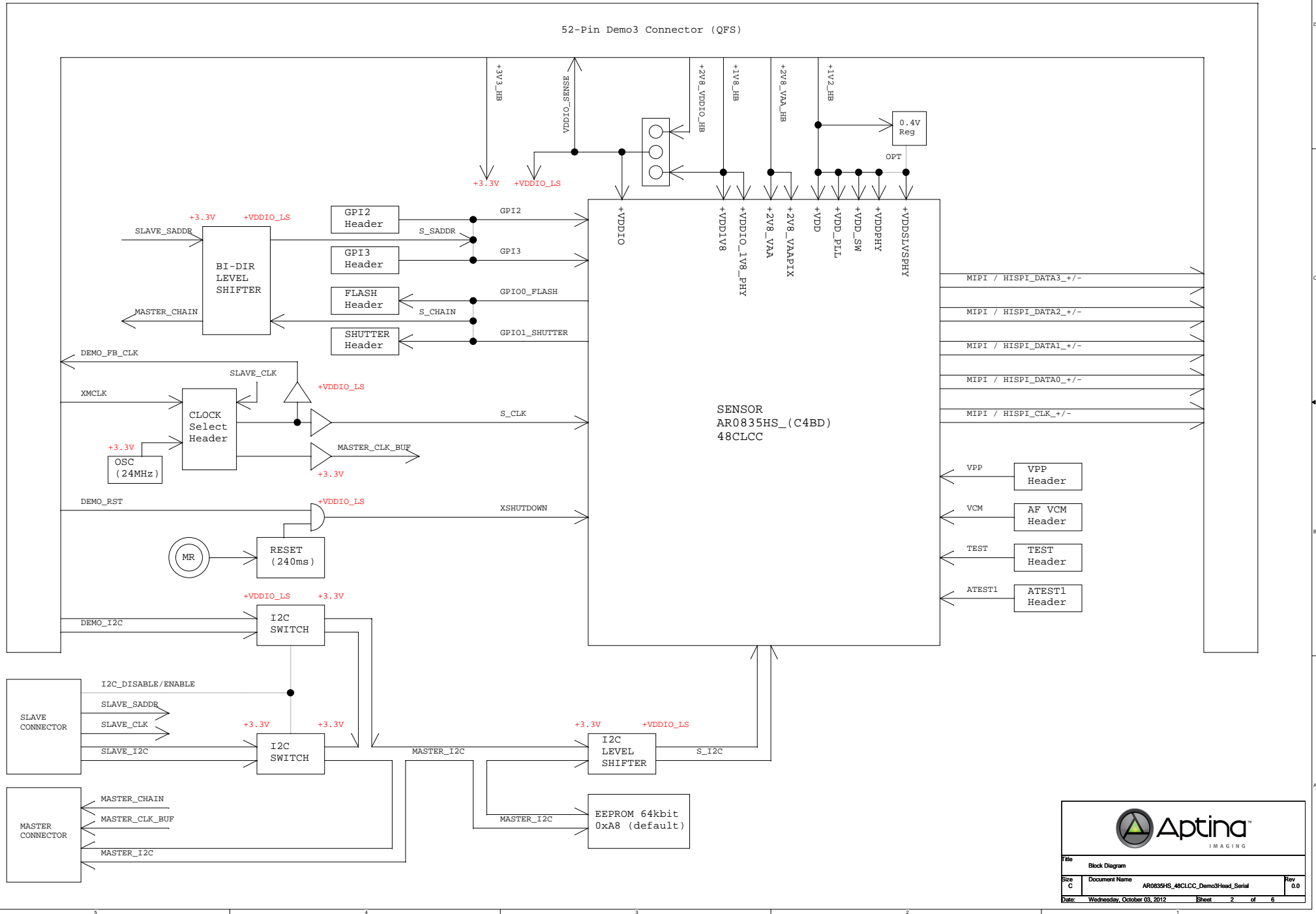
Page	Description
1	Title Page
2	Block Diagram
3	Sensor - AR0835HS_(C4BD)
4	Power
5	Clock and Reset
6	External Interfaces

Rev	Who	Date	Description
Rev 0.0	Joe KK	09/17/12	Initial

For the latest data sheet, please visit www.sunnywale.com

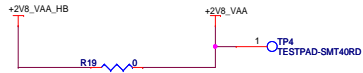
	
File: <Title>	
Size: C	Document Name: AR0835HS_48CLCC_Demo3Head_Serial
Date: Thursday, September 20, 2012	Rev: 0.0
Sheet 1 of 6	

Block Diagram

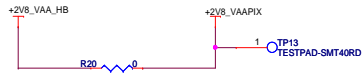


Power

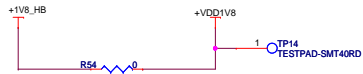
ANALOG VAA 2.8V SUPPLY



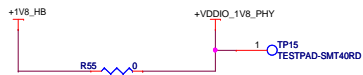
ANALOG VAAPIX 2.8V SUPPLY



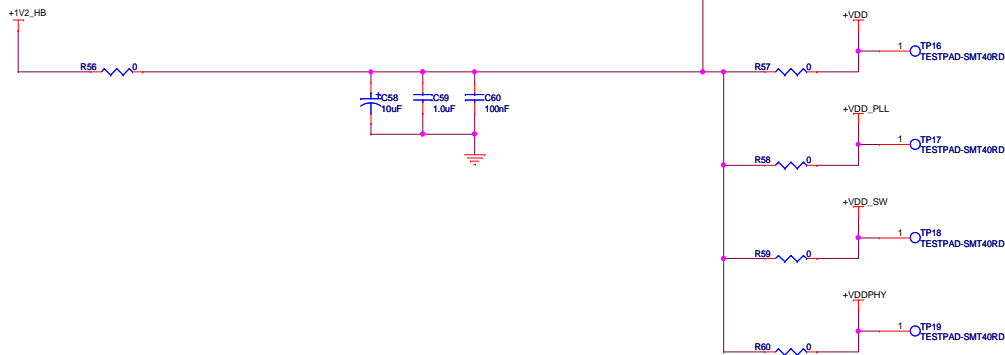
VDD1V8 SUPPLY



VDDIO_1V8_PHY SUPPLY



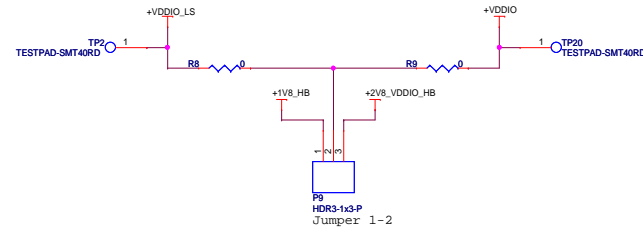
VDD, VDD_PLL, VDDPHY & VDD_SW 1.2V SUPPLY



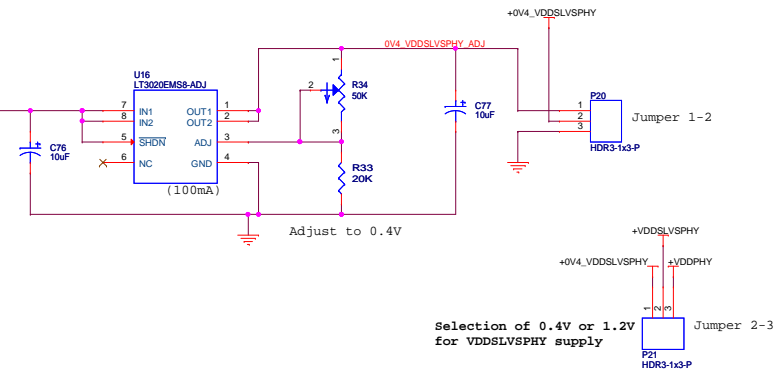
PERIPHERAL 3.3V SUPPLY



PERIPHERAL VDDIO_LS SUPPLY



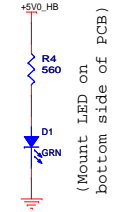
VDDSLVSPHY 0.4V SUPPLY



Selection of 0.4V or 1.2V for VDDSLVSPHY supply

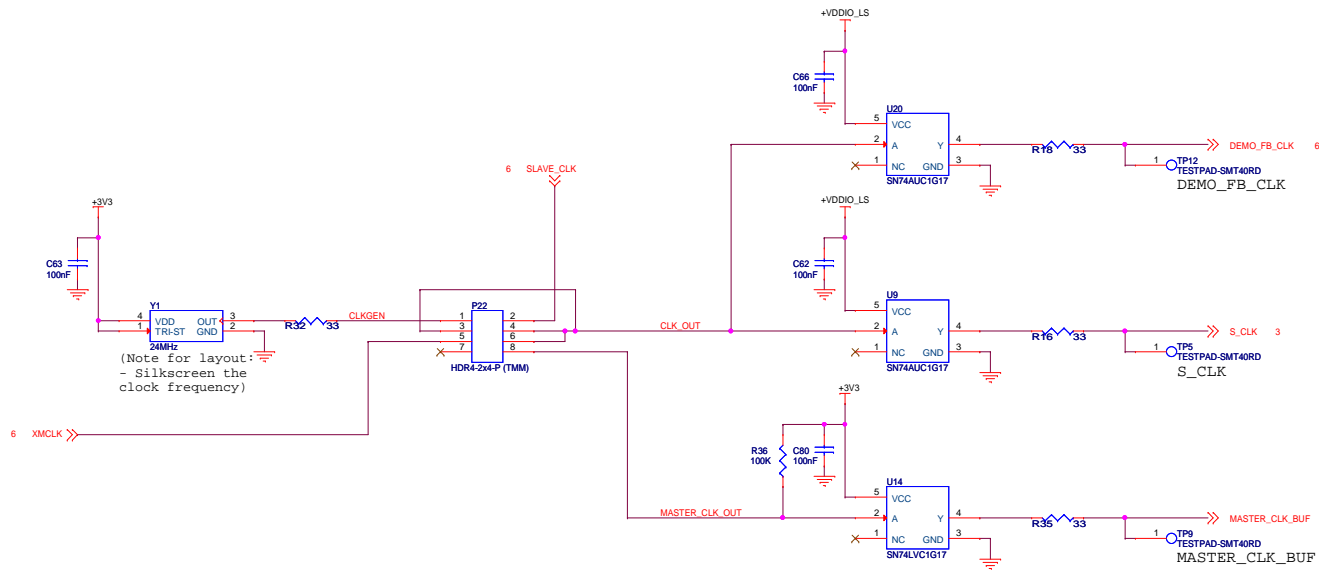
3,6	+5V0_HB	+5V0_HB
6	+3V3_HB	+3V3_HB
6	+2V8_VAA_HB	+2V8_VAA_HB
6	+2V8_VDDIO_HB	+2V8_VDDIO_HB
6	+1V8_HB	+1V8_HB
6	+1V2_HB	+1V2_HB
3	+2V8_VAA	+2V8_VAA
3	+2V8_VAAPIX	+2V8_VAAPIX
3	+VDD1V8	+VDD1V8
3	+VDDIO_1V8_PHY	+VDDIO_1V8_PHY
3	+VDD	+VDD
3	+VDD_PLL	+VDD_PLL
3	+VDDPHY	+VDDPHY
3	+VDD_SW	+VDD_SW
3	+VDDIO	+VDDIO
3,5,6	+3V3	+3V3
5,6	+VDDIO_LS	+VDDIO_LS

5V LED



Clock and Reset

CLOCK CIRCUIT



P22 Clock Selection Header

Jumper 1-3 (default): Select on-board oscillator as sensor's input clock

OR

Jumper 3-5: Select Demo2X clock as sensor's input clock

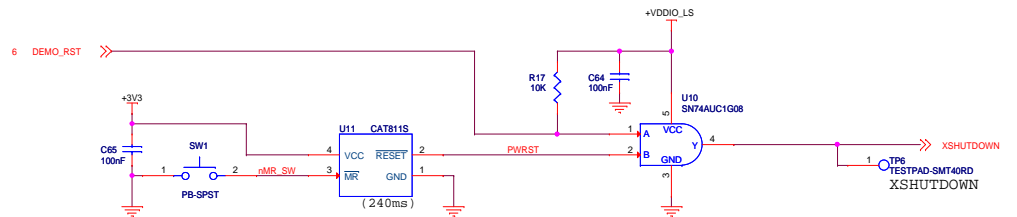
OR

Jumper 2-4: Select Slave clock as sensor's input clock (for slave sensor in multi-camera mode)

AND

Jumper 6-8: Enable Master clock output (to support slave sensor in multi-camera mode)

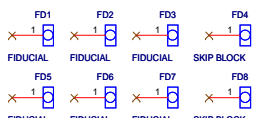
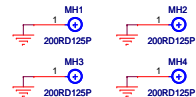
RESET CIRCUIT



Ground Testpoint



Mounting Holes



3.4,6	+5V0_HB	+5V0_HB
4.6	+3V3_HB	+3V3_HB
4.6	+2V8_VAA_HB	+2V8_VAA_HB
4.6	+2V8_VDDIO_HB	+2V8_VDDIO_HB
4.6	+1V8_HB	+1V8_HB
4.6	+1V2_HB	+1V2_HB
3.4	+2V8_VAA	+2V8_VAA
3.4	+2V8_VAAPIX	+2V8_VAAPIX
3.4	+VDD1V8	+VDD1V8
3.4	+VDDIO_1V8_PHY	+VDDIO_1V8_PHY
3.4	+VDD	+VDD
3.4	+VDD_PLL	+VDD_PLL
3.4	+VDDPHY	+VDDPHY
3.4	+VDD_SW	+VDD_SW
3.4	+VDDIO	+VDDIO
3.4,6	+3V3	+3V3
4.6	+VDDIO_LS	+VDDIO_LS

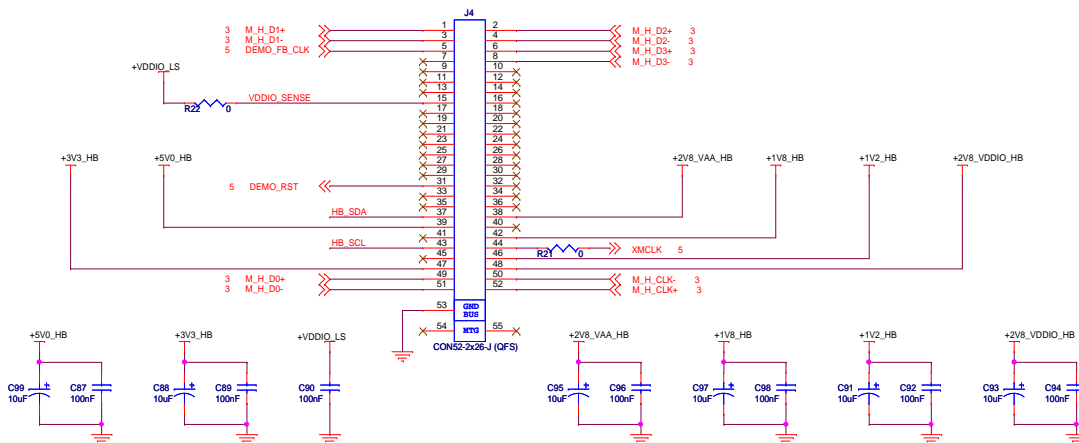
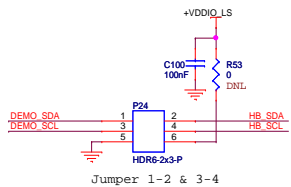
File		Clock and Reset	
Size	Document Name	Rev	0.0
C	AR0835HS_48CLCC_Demo3Head_Serial		
Date:	Thursday, September 20, 2012	Sheet	5 of 6

External Interface

Sales:
Shenzhen
Sunnywale
Inc, www.sunnywale.com,
awin@sunnywale.com
Wechat:
9308762

DEMO3 BASEBOARD I/F

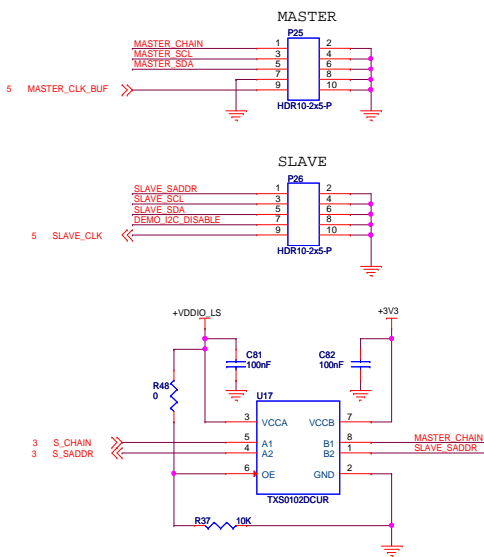
I2C Debug



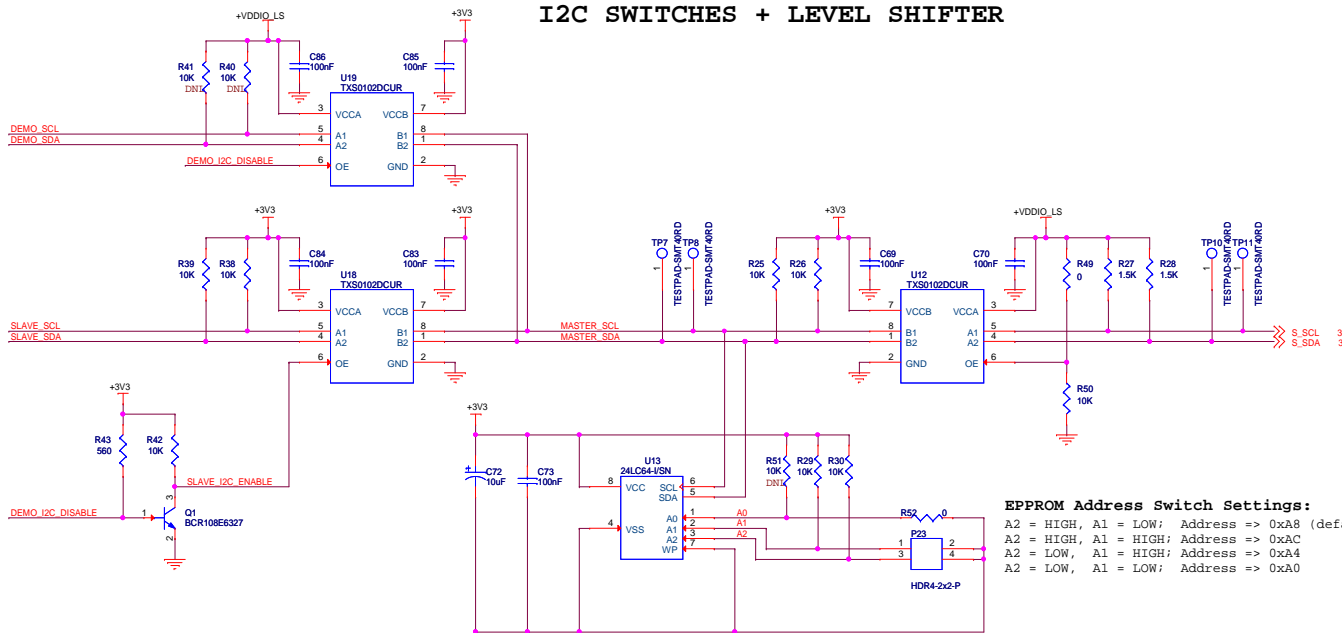
MULTI-CAMERA (3D) INTERFACE

MASTER / SLAVE Connection in Multi-Camera Mode:

- Connect a multi-camera interface cable from the MASTER connector on the Master headboard to the SLAVE connector on the Slave headboard
- If there is a further Slave headboard down the chain, connect another multi-camera interface cable from the MASTER connector on the 1st Slave headboard to the SLAVE connector on the 2nd Slave headboard

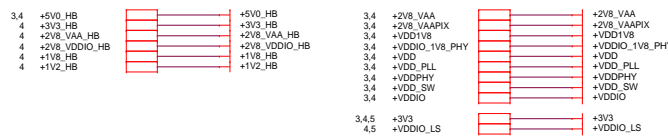


I2C SWITCHES + LEVEL SHIFTER



EEPROM Address Switch Settings:
 A2 = HIGH, A1 = LOW; Address => 0xA8 (default)
 A2 = HIGH, A1 = HIGH; Address => 0xA4
 A2 = LOW, A1 = HIGH; Address => 0xA4
 A2 = LOW, A1 = LOW; Address => 0xA0

LENS CORRECTION EEPROM



External Interface

Document Name: AR0835HS_48LCC_Demo3Head_Serial

Rev: 0.0

Date: Thursday, September 20, 2012 Sheet: 6 of 6